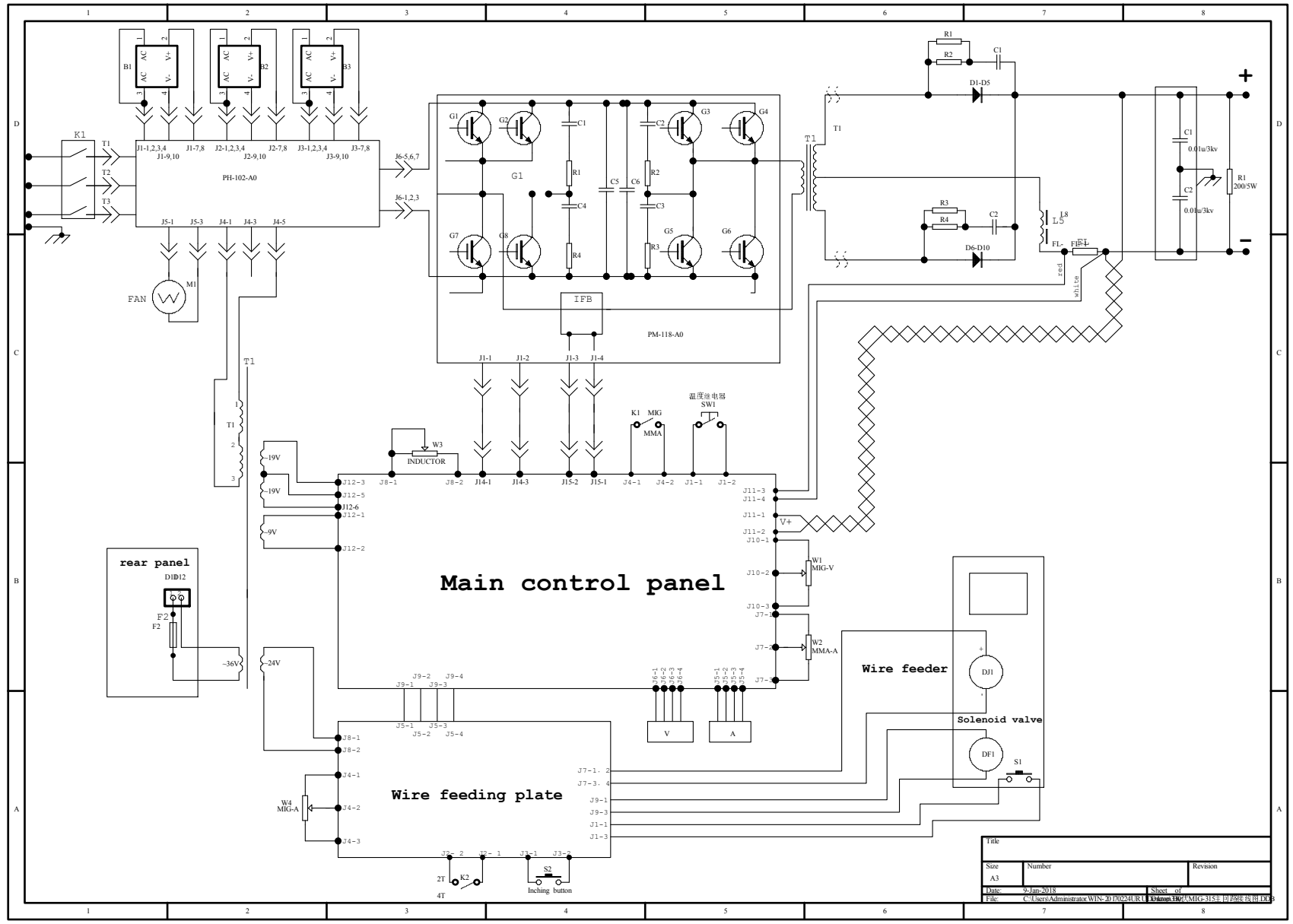


File:	Number:	Revision:
A2		
Drawn:	11_Aug_2017	Sheet 1 of 1
<small>Copyright © 2003-2017 WISECAM Corporation. All rights reserved. WISECAM is a registered trademark of WISECAM Corporation. WISECAM and WISECAM logo are trademarks of WISECAM Corporation. All other trademarks are the property of their respective owners.</small>		



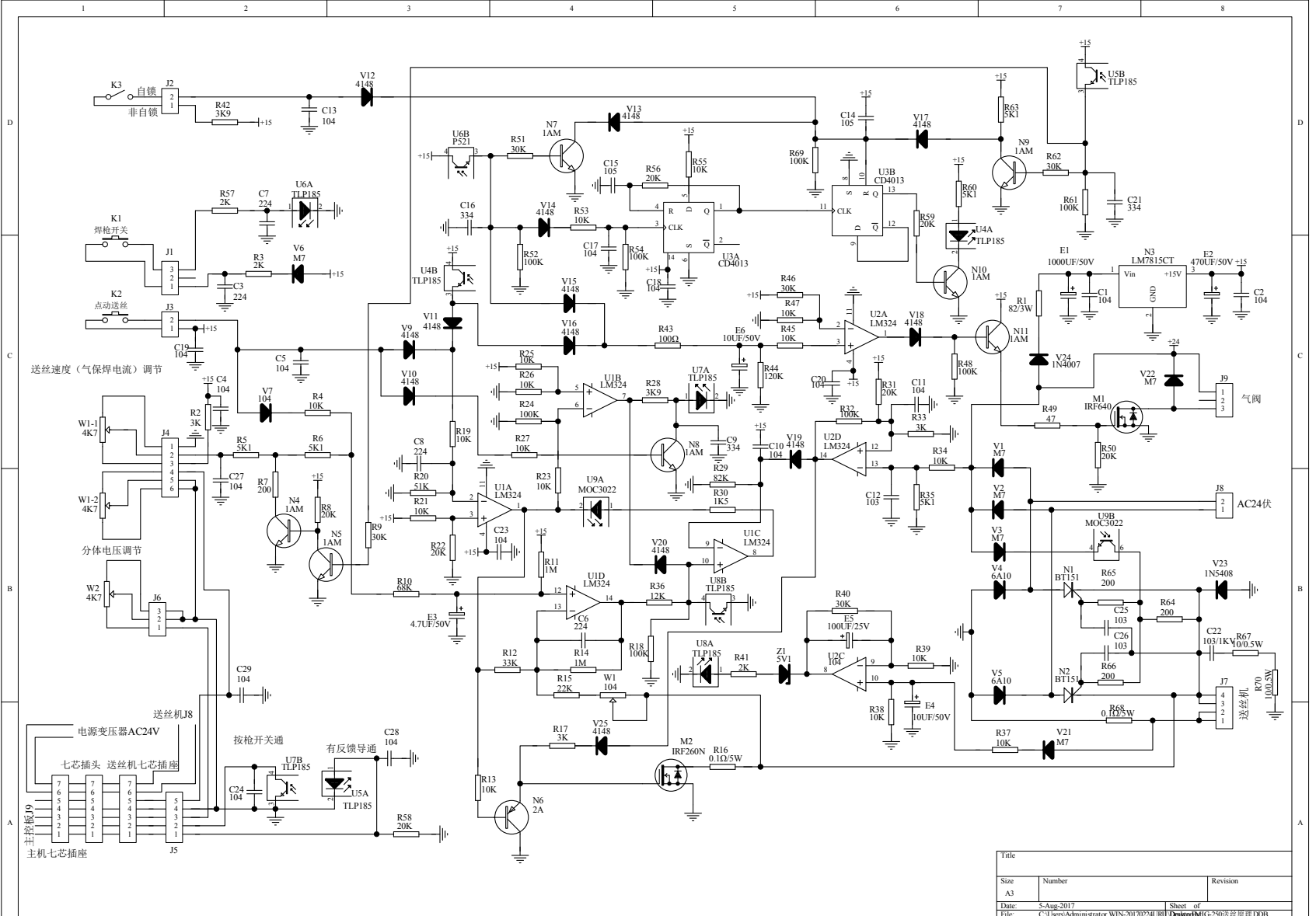
Main control panel

Wire feeding plate

Wire feeder

Solenoid valve

Title		
Size	Number	Revision
A3		
Date	24 Jan 2018	Sheet of
File	C:\Users\Administrator\WIKI\217022M1R1	Known HW/UM/IC: 3153, 172892, 4514, D3, B



Title		
Size	Number	Revision
A3		
Date:	S-Aug-2017	Sheet of
File:	C:\Users\Administrator\WIN-20170224\RII	Sheet of
		File: D:\Users\Administrator\WIN-20170224\RII