

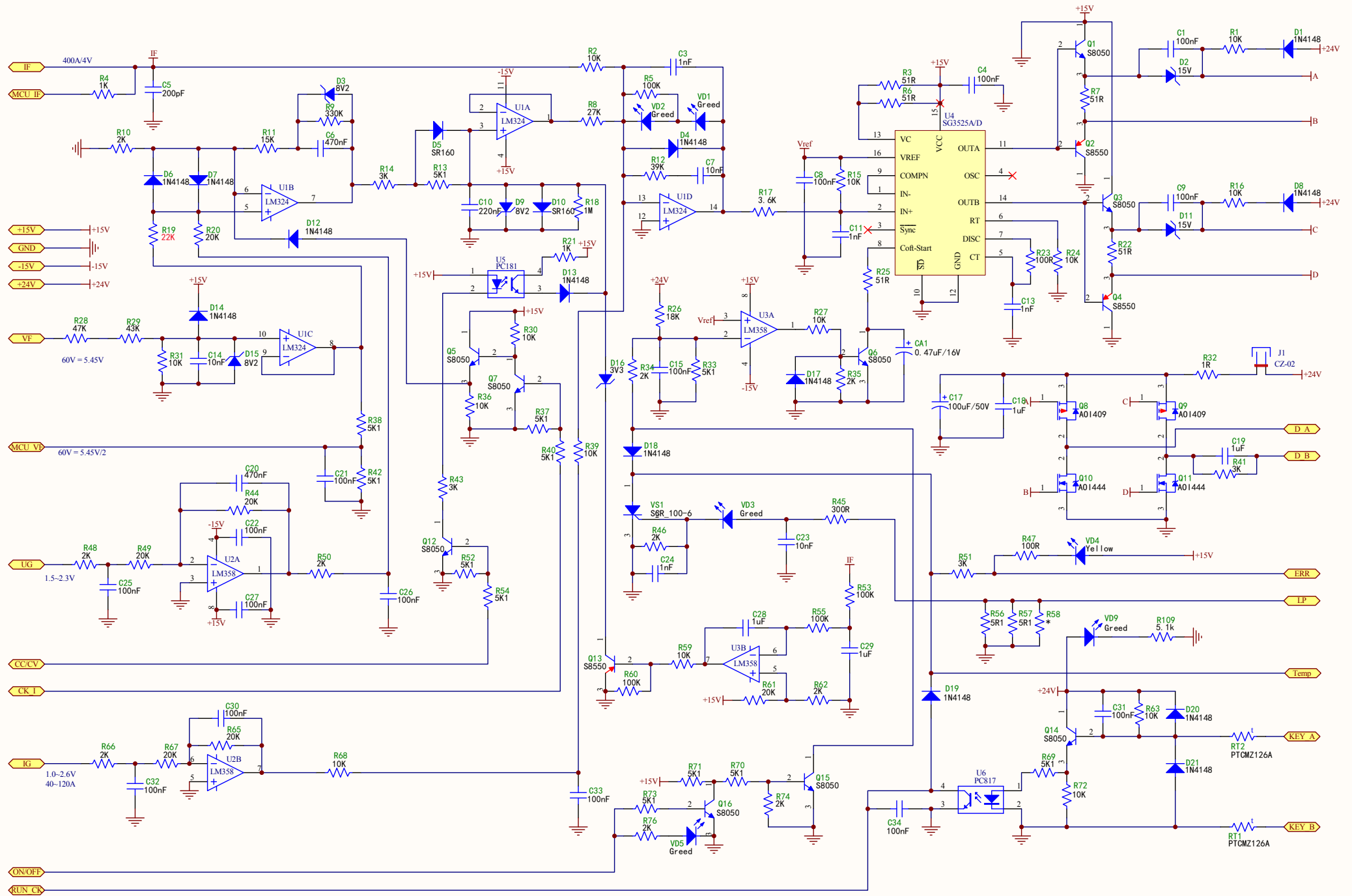
- 14
  - 13
  - 12
  - 11
  - 10
  - 9
  - 8
  - 7
  - 6
  - 5
  - 4
  - 3
  - 2
  - 1
- 14PIN

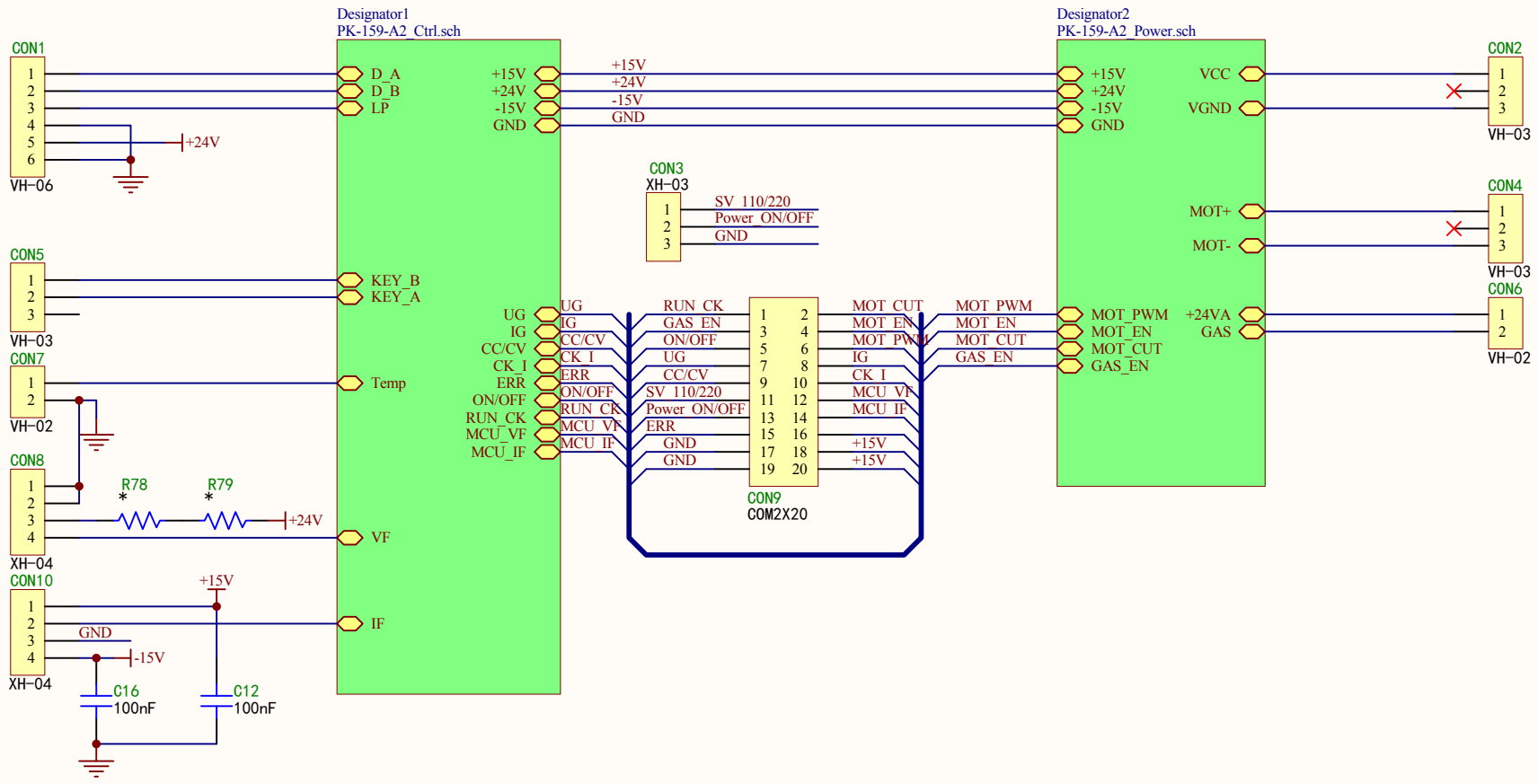
SGND

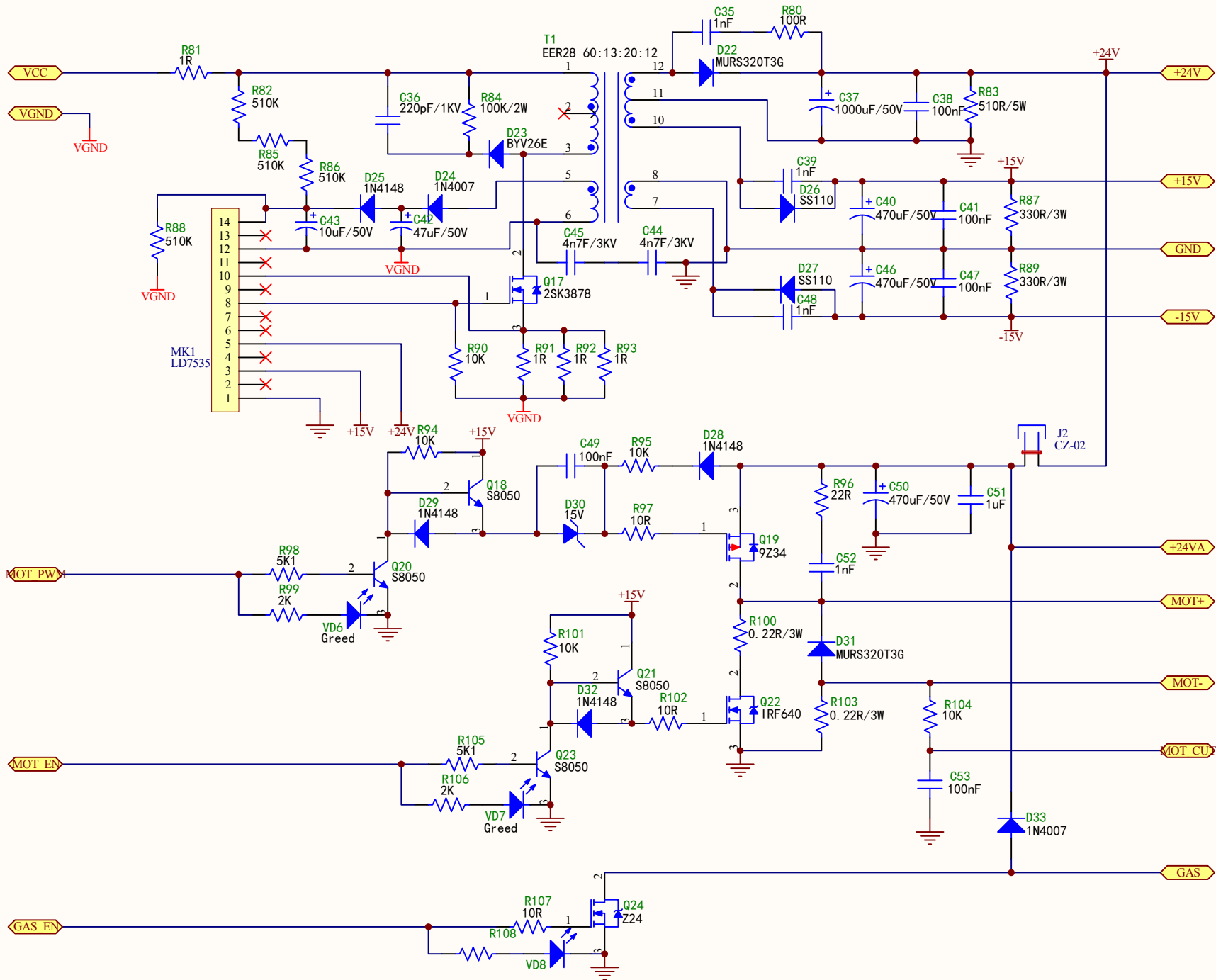
+24V

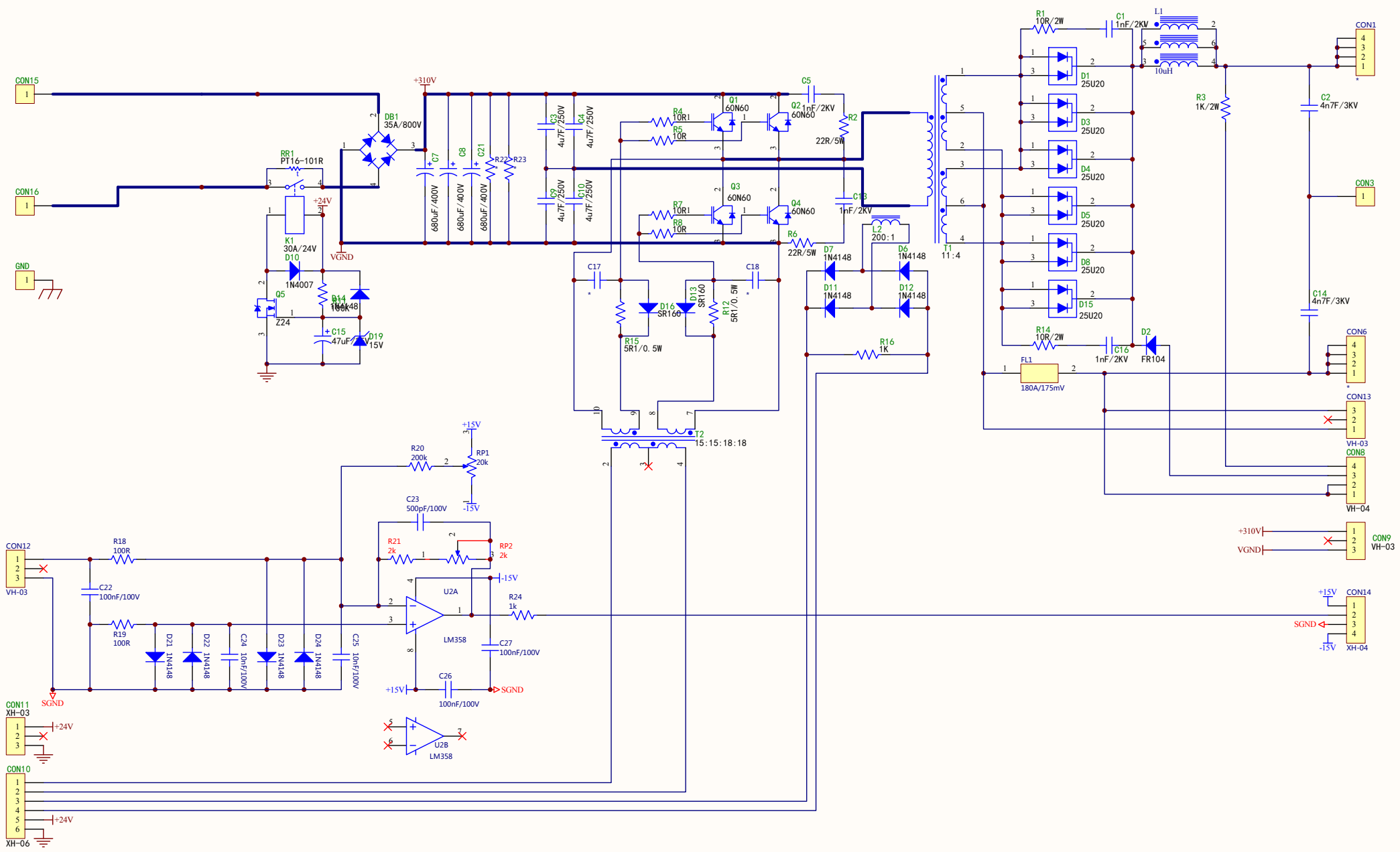
+15V

GND









+310V  
VGND

+15V  
SGND  
-15V

CON15

CON16

GND

CON12

CON11

CON10

XH-06

CON1

CON3

CON6

CON13

VH-03

CON9

CON14

XH-04

VH-04

CON8