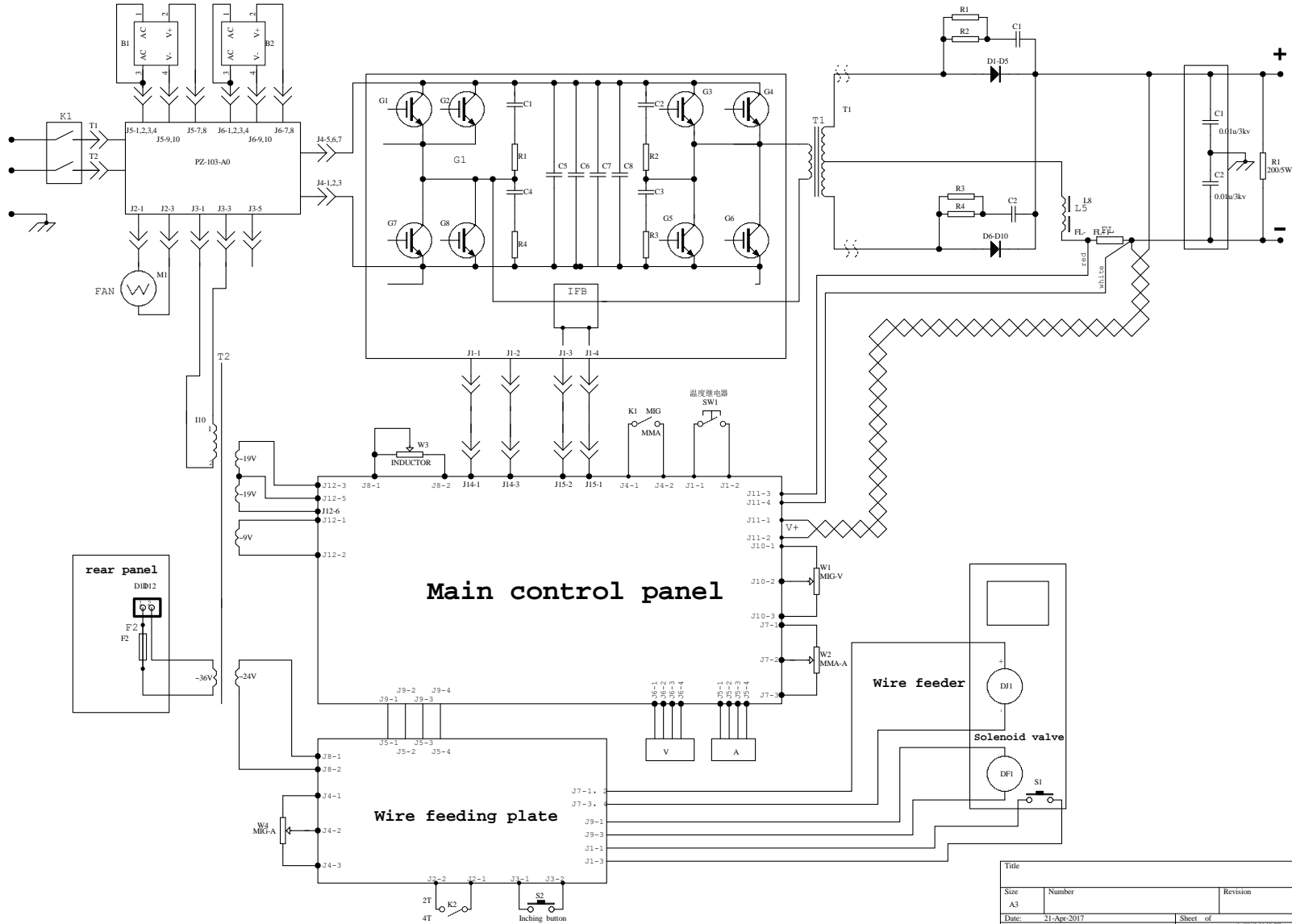


Tab:	Number	Revision
A2		
Drawn:	11_Aug_2017	Sheet 1 of 1
File:	C:\Users\Administrator\WKS\37826251\37826251.dwg	37826251.dwg

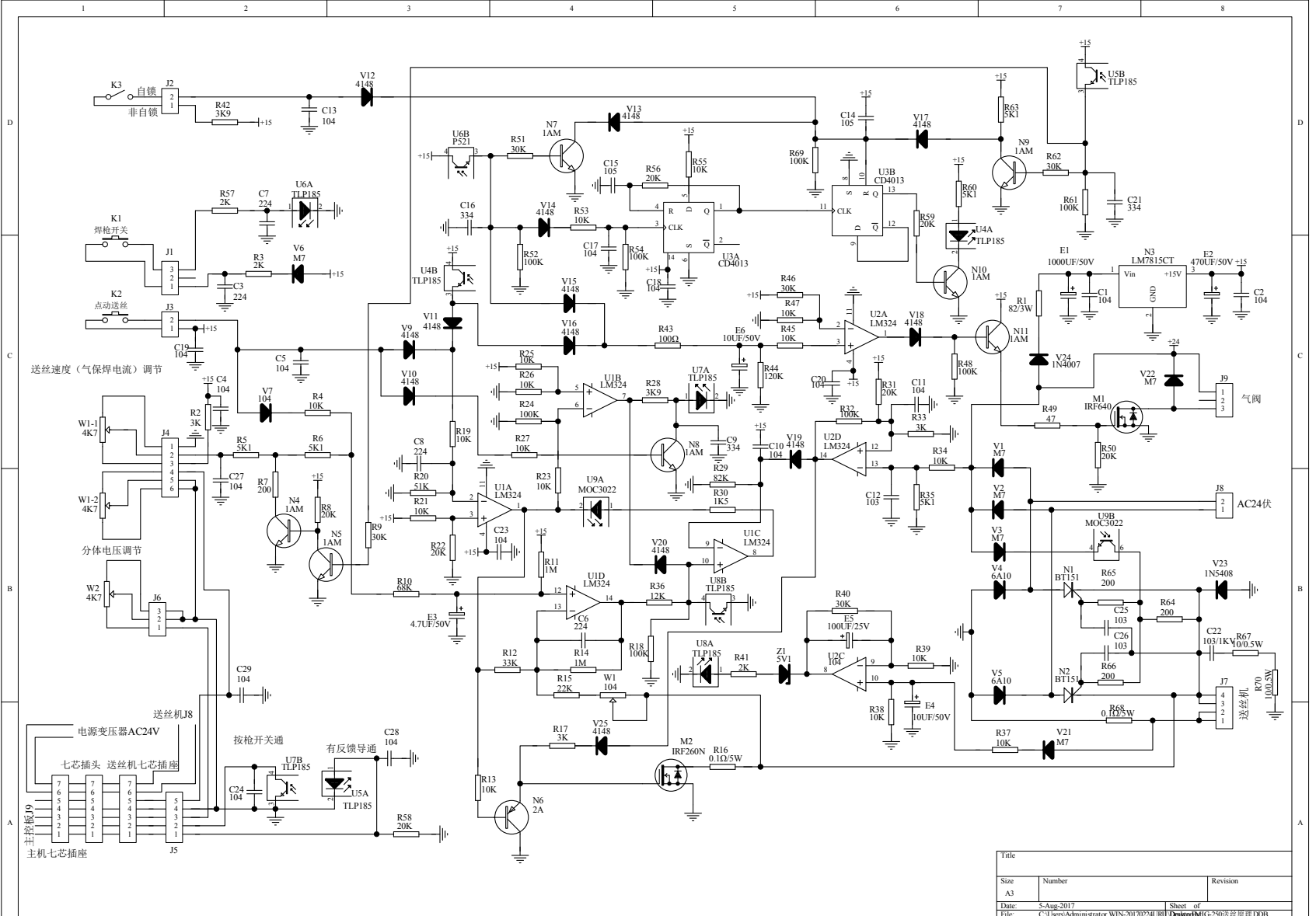


**Main control panel**

**Wire feeding plate**

**Wire feeder**

Title		
Size	Number	Revision
A3		
Date	Sheet of	
File	C:\Users\Administrator\WIN-20170224\801 Deskno\BNC-250E回路接线图.DBR	



Title		
Size	Number	Revision
A3		
Date:	S-Aug-2017	Sheet of
File:	C:\Users\Administrator\WIN-20170224\RII	Sheet of
		File: D:\Users\Administrator\WIN-20170224\RII